
DESPIECES DEL SERVICIO TÉCNICO

LAVADO DE VAJILLA - DISHWASHING LAVAGE DE VAISSELLE

FI-48

FI-64

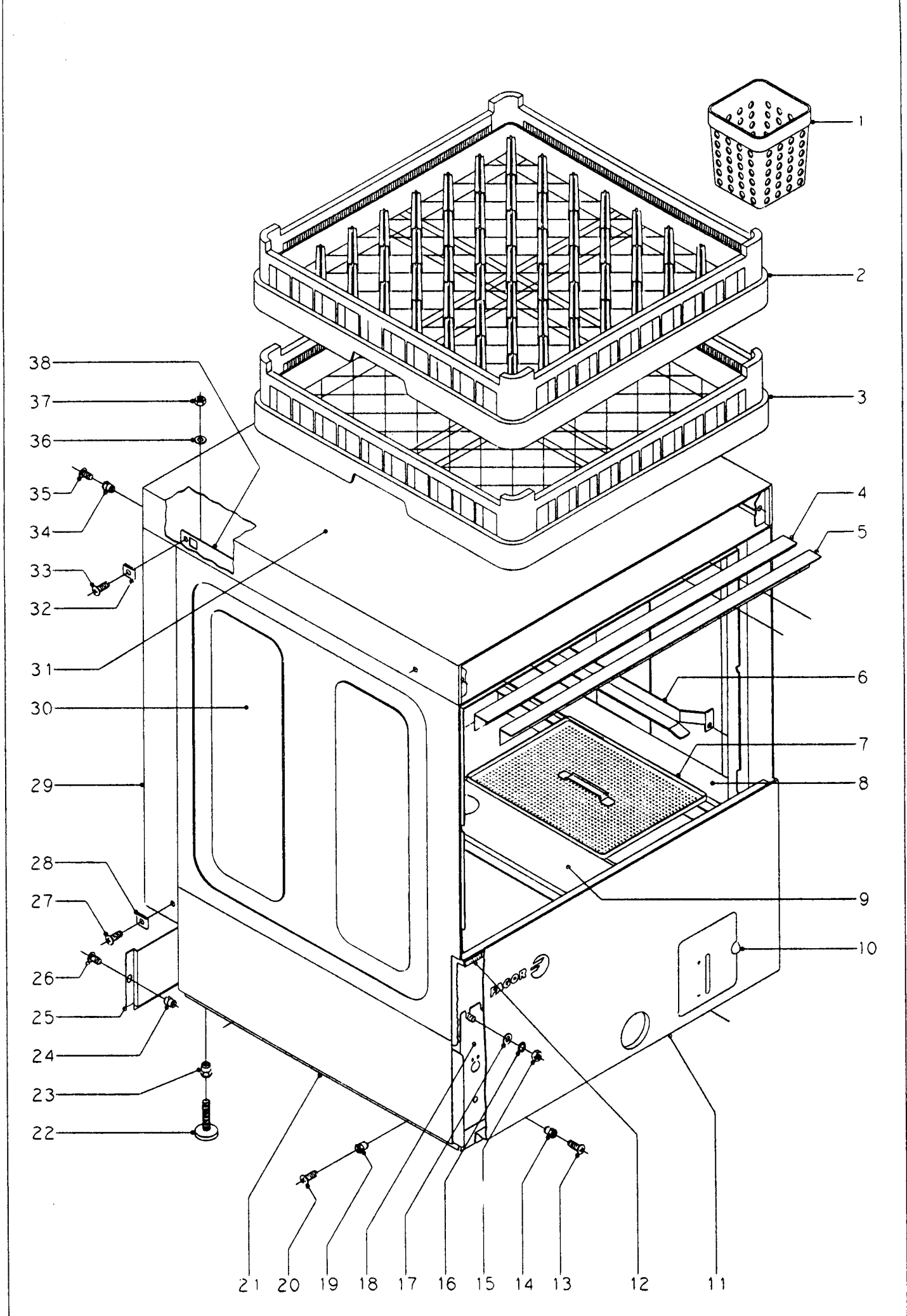
FI-64 W

FI-64 B

JULIO, 1999

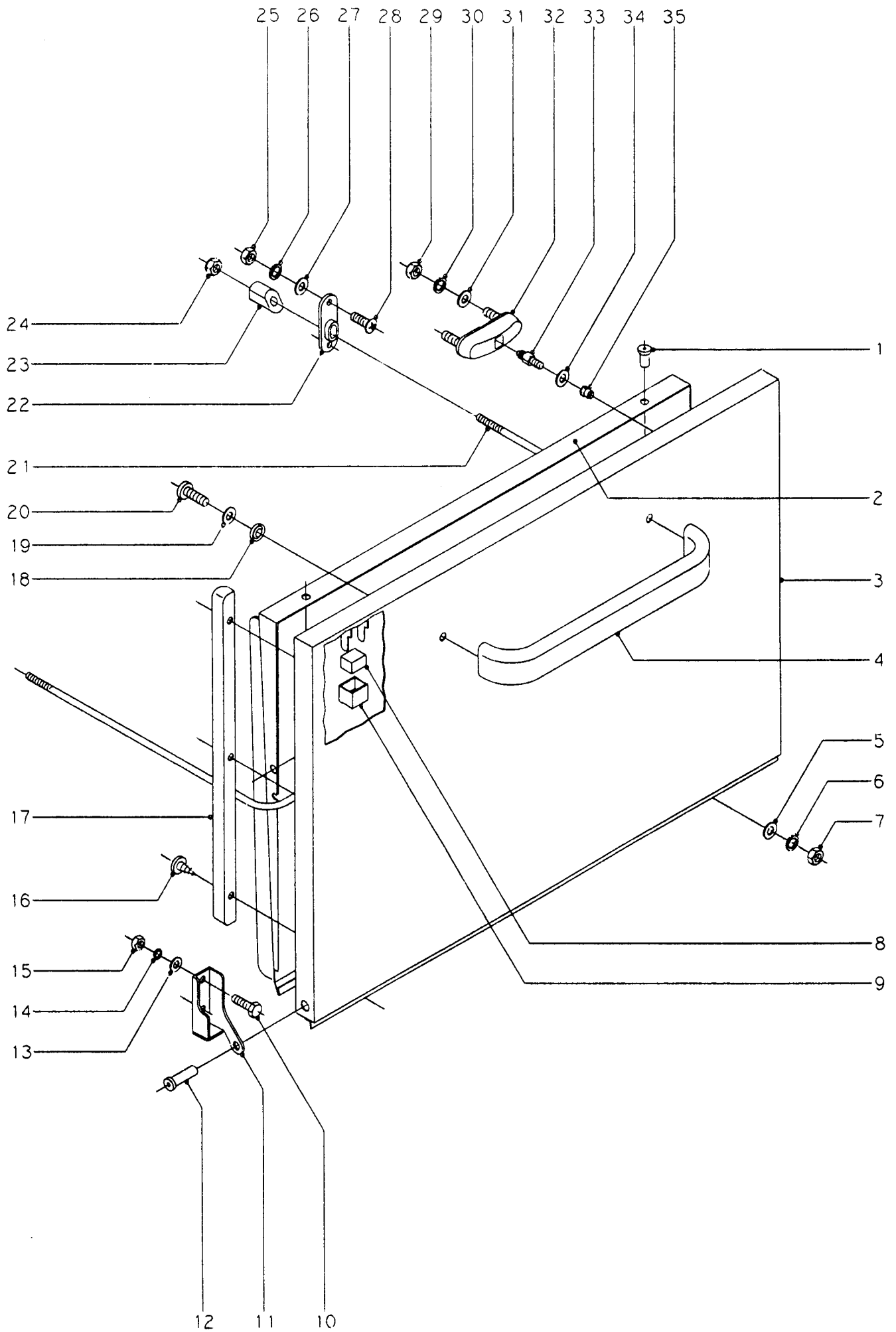


Fagor Industrial, S. Coop.



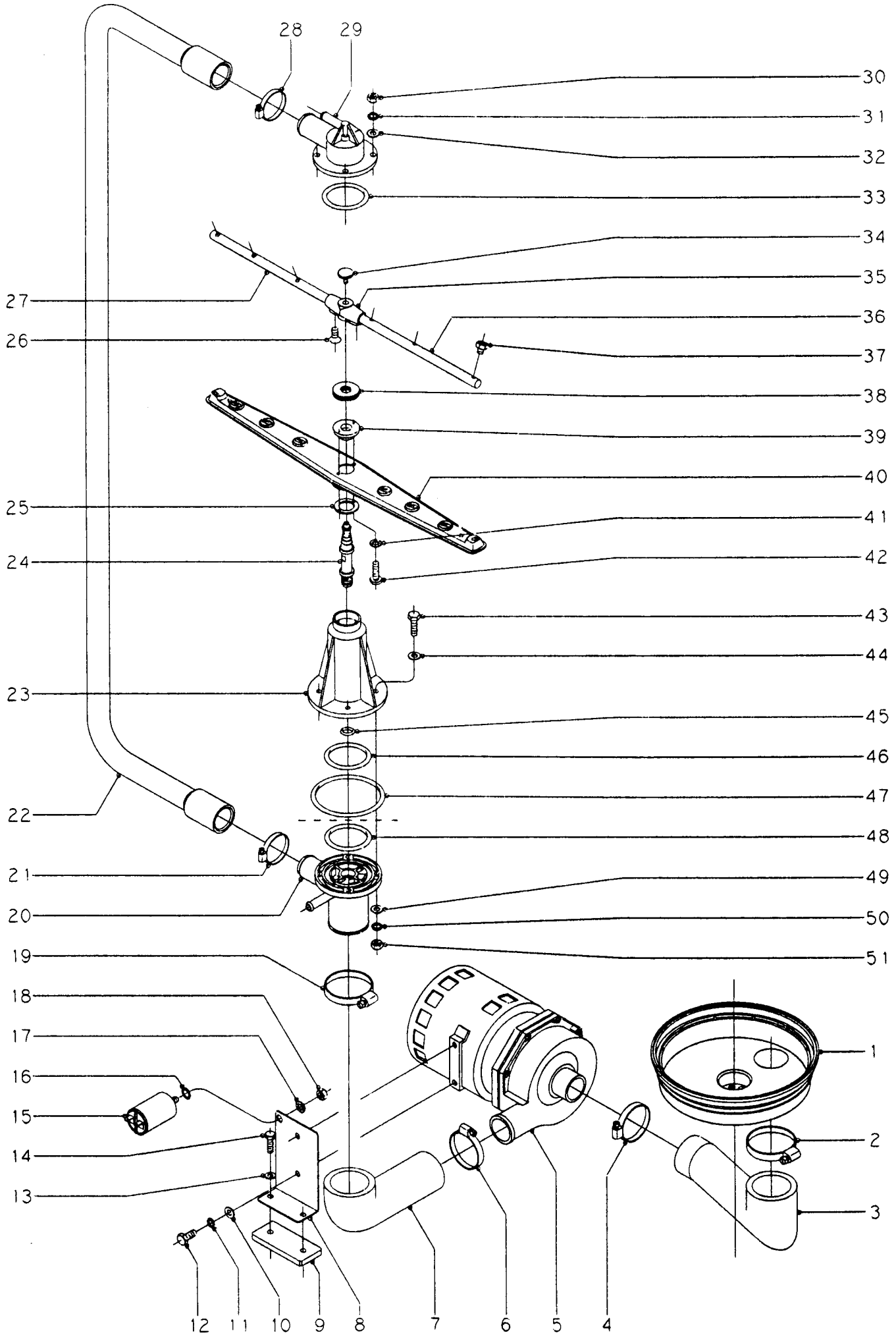
| | | | | | |
|---------|------------------|-------|-------------------------------|--------|---------------------------------------|
| N plano | Firma | Fecha | Aparato | Lamina | Fagor Industrial S Coop. FAGOR |
| C-467 | <i>D. J. ...</i> | 7-97 | LAVAVAJILLAS 48. 48B. 64. 64B | 1 | Onete |

| CONCEPTO: MUEBLE EXTERIOR SUJET: MEUBLE EXTERIEUR CONCEPT: EXTERNAL CABINET | | | | | LAMINA Nº VUE Nº 1 ILUSTR. N. | | PLANO Nº PLAN Nº C-467 DRAWING N. | | PAGINA Nº PAGE Nº 2 PAGEN. | |
|--|---------|----------------------------|-----------------------------|---------------------------|---|--------|--|--------|---|--------------------------|
| APARATO - APPAREIL - APPLIANCE: LAVAVAJILLAS - LAVEVAISSELLES - DISH WASING MACHINE | | | | | MODELO Y CANTIDAD - MOD. ET QUANT. - MOD. & QUANT. | | | | | OBSERVACIONES |
| Nº | CODIGO | DENOMINACION | DENOMINATION | DESCRIPTION | FI-48 | FI-48B | FI-64 | FI-64B | | |
| 1 | Z655314 | Cestillo cubiertos | Panier | Basket | 4 | 4 | 4 | 4 | | |
| 2 | Z655302 | Cestillo platos CP-16/18 | Panier | Basket | 1 | 1 | 1 | 1 | | |
| 3 | Z655301 | Cestillo base CT-10 | Panier | Basket | 1 | 1 | 1 | 1 | | |
| 4 | Z200315 | Perfil caja | Profil | Profile | 1 | 1 | 1 | 1 | | |
| 5 | Z200309 | Escuadra sujeción perfil | Equerre fixation profil | Fastening plate | 1 | 1 | 1 | 1 | | |
| 6 | Z200305 | Guía cestillo derecha | Guide panier droite | Right basket guide | 1 | 1 | 1 | 1 | | |
| s/n | Z200306 | Guía cestillo izquierda | Guide panier gauche | Left basket guide | 1 | 1 | 1 | 1 | | |
| s/n | Q232040 | Arandela plana A.6 | Rondelle A.6 | Washer A.6 | 4 | 4 | 4 | 4 | | |
| s/n | Q162040 | Tuerca exagonal M.6 | Ecrou M.6 | Nut M.6 | 4 | 4 | 4 | 4 | | |
| 7 | Z210801 | Bandeja filtro | Plateau filtre | Filter tray | 4 | 4 | 4 | 4 | | |
| 8 | Z210805 | Soporte derecho bandejas | Support droit de plateaux | Right support for trays | 1 | 1 | 1 | 1 | | |
| s/n | Z210806 | Soporte izquierdo bandejas | Support gauche de plateaux | Left support for trays | 1 | 1 | 1 | 1 | | |
| 9 | Z210804 | Soporte central bandejas | Support central de plateaux | Central support for trays | 1 | 1 | 1 | 1 | | |
| s/n | Q232040 | Arandela plana A.6 | Rondelle A.6 | Washer A.6 | 8 | 8 | 8 | 8 | | Amarre soportes bandejas |
| s/n | Q162040 | Tuerca exagonal M.6 | Ecrou M.6 | Nut M.6 | 8 | 8 | 8 | 8 | | Amarre soportes bandejas |
| 10 | Z218424 | Puerta depósito completa | Porte complète pour dépôt | Door for tank | 1 | 1 | 1 | 1 | | FI-64 W |
| s/n | Z212906 | Eje puerta | Axe de porte | Door axle | 1 | 1 | 1 | 1 | | |
| s/n | Q372001 | Pasador de aletas 2x15 | Goupille 2x15 | Pin 2x15 | 2 | 2 | 2 | 2 | | |
| 11 | Z212911 | Panel frontal | Panneau frontal | Front panel | 1 | - | 1 | - | | |
| 11 | Z218611 | Panel frontal | Panneau frontal | Front panel | - | 1 | - | 1 | | FI-64 W |
| 12 | Z200313 | Perfil goma esponjosa | Profil mousseux | Spongy profile | 1 | 1 | 1 | 1 | | |
| 13 | Q152004 | Tornillo aplastado M.5x13 | Vis M.5x13 | Bolt M.5x13 | 2 | 2 | 2 | 2 | | |
| 14 | Q221342 | Remache exagonal M.5 | Rivet M.5 | Rivet M.5 | 2 | 2 | 2 | 2 | | |
| 15 | Q162040 | Tuerca exagonal M.6 | Ecrou M.6 | Nut M.6 | 8 | 8 | 8 | 8 | | |
| 16 | Q262040 | Arandela muelle A.6 | Rondelle A.6 | Washer A.6 | 8 | 8 | 8 | 8 | | |
| 17 | Q232040 | Arandela plana A.6 | Rondelle A.6 | Washer A.6 | 8 | 8 | 8 | 8 | | |
| 18 | Z200101 | Armazón completo | Châssis | Complete frame | 1 | 1 | 1 | 1 | | |
| 19 | Q221342 | Remache exagonal M.5 | Rivet M.5 | Rivet M.5 | 4 | 4 | 4 | 4 | | |
| 20 | Q152004 | Tornillo aplastado M.5x13 | Vis M.5x13 | Bolt M.5x13 | 4 | 4 | 4 | 4 | | |
| 21 | Z202903 | Panel lateral izquierdo | Panneau lateral gauche | Side left panel | 1 | 1 | 1 | 1 | | |
| s/n | Z202902 | Panel lateral derecho | Panneau lateral droit | Side right panel | 1 | 1 | 1 | 1 | | |



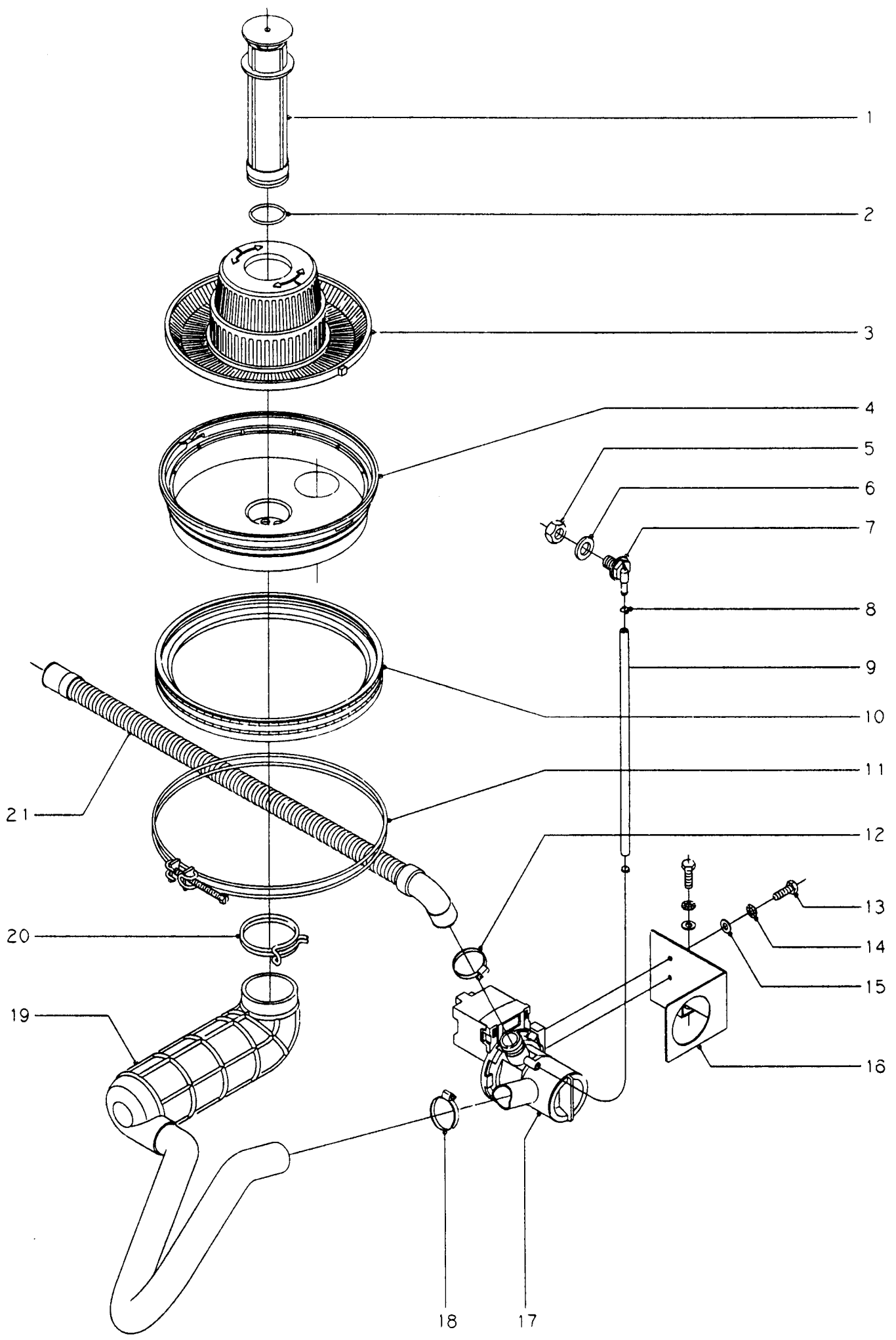
| | | | | | |
|----------|--------------------|-------|-------------------------------|--------|---------------------------------------|
| Nº plano | Firma | Fecha | Aparato | Lamina | Fagor Industrial S Coop. FAGOR |
| C-468 | <i>[Signature]</i> | 7-97 | LAVAVAJILLAS 48. 48B. 64. 64B | 2 | Oñate |

| CONCEPTO: PUERTA SUJET: PORTE CONCEPT: DOOR | | | | | LAMINA Nº VUE Nº 2 ILUSTR. N. | | PLANO Nº PLAN Nº C-468 DRAWING N. | | PAGINA Nº PAGE Nº 5 PAGEN. | |
|--|---------|---------------------------|---------------------|-------------------------|---|--------|--|--------|---|----------------------|
| APARATO - APPAREIL - APPLIANCE: LAVAVAJILLAS - LAVEVAISSELLES - DISH WASING MACHINE | | | | | MODELO Y CANTIDAD - MOD. ET QUANT. - MOD. & QUANT. | | | | | OBSERVACIONES |
| Nº | CODIGO | DENOMINACION | DENOMINATION | DESCRIPTION | FI-48 | FI-48B | FI-64 | FI-64B | | |
| 1 | Q412000 | Remache tubular Ø 4x8 | Rivet Ø 4x8 | Rivet Ø 4x8 | 4 | 4 | 4 | 4 | | |
| 2 | Z200545 | Contrapuerta soldada | Contreporte | Inner panel for door | 1 | 1 | 1 | 1 | | |
| 3 | Z200541 | Puerta soldada | Panneau de porte | External panel for door | 1 | 1 | 1 | 1 | | |
| 4 | Z650531 | Asa puerta | Poignée | Door handle | 1 | 1 | 1 | 1 | | FI-64 W |
| 5 | Q232030 | Arandela plana A.5 | Rondelle A.5 | Washer A.5 | 2 | 2 | 2 | 2 | | |
| 6 | Q262030 | Arandela muelle A.5 | Rondelle A.5 | Washer A.5 | 2 | 2 | 2 | 2 | | |
| 7 | Q162030 | Tuerca exagonal M.5 | Ecrou M.5 | Nut M.5 | 2 | 2 | 2 | 2 | | |
| 8 | Z200506 | Imán | Aimant | Magnet | 1 | 1 | 1 | 1 | | |
| 9 | Z200507 | Protector imán | Protection d'aimant | Magnet protection | 1 | 1 | 1 | 1 | | |
| 10 | Q012042 | Tornillo exagonal M.6x15 | Vis M.6x15 | Bolt M.6x15 | 4 | 4 | 4 | 4 | | |
| 11 | Z400514 | Bisagra izquierda | Charnière gauche | Left hinge | 1 | 1 | 1 | 1 | | |
| s/n | Z400515 | Bisagra derecha | Charnière droite | Right hinge | 1 | 1 | 1 | 1 | | |
| 12 | Z400516 | Eje puerta | Axe de porte | Axle of door | 2 | 2 | 2 | 2 | | |
| 13 | Q232040 | Arandela plana A.6 | Rondelle A.6 | Washer A.6 | 4 | 4 | 4 | 4 | | |
| 14 | Q262040 | Arandela muelle A.6 | Rondelle A.6 | Washer A.6 | 4 | 4 | 4 | 4 | | |
| 15 | Q162040 | Tuerca exagonal M.6 | Ecrou M.6 | Nut M.6 | 4 | 4 | 4 | 4 | | |
| 16 | Q152005 | Tornillo alomado 4,2x13 | Vis 4,2x13 | Bolt 4,2x13 | 6 | 6 | 6 | 6 | | |
| 17 | Z200524 | Macro puerta | Cadre de porte | Frame of door | 2 | 2 | 2 | 2 | | |
| 18 | Q308002 | Arandela dubo A.6 | Rondelle A.6 | Washer A.6 | 2 | 2 | 2 | 2 | | |
| 19 | Q232040 | Arandela plana A.6 | Rondelle A.6 | Washer A.6 | 2 | 2 | 2 | 2 | | |
| 20 | Q062041 | Tornillo alomado M.6x10 | Vis M.6x10 | Bolt M.6x10 | 2 | 2 | 2 | 2 | | |
| 21 | Z200521 | Varilla tensor | Baguette | Rod | 1 | 1 | 1 | 1 | | |
| 22 | Z200310 | Soporte tensor | Support | Support | 2 | 2 | 2 | 2 | | |
| 23 | Z200522 | Tensor de puerta | Tendeur de porte | Tightener | 2 | 2 | 2 | 2 | | |
| 24 | Q222012 | Tuerca autoblocante M.6 | Ecrou M.6 | Nut M.6 | 2 | 2 | 2 | 2 | | |
| 25 | Q162030 | Tuerca exagonal M.5 | Ecrou M.5 | Nut M.5 | 4 | 4 | 4 | 4 | | |
| 26 | Q262030 | Arandela muelle A.5 | Rondelle A.5 | Washer A.5 | 4 | 4 | 4 | 4 | | |
| 27 | Q232030 | Arandela plana A.5 | Rondelle A.5 | Washer A.5 | 4 | 4 | 4 | 4 | | |
| 28 | Q152004 | Tornillo aplastado M.5x13 | Vis M.5x13 | Bolt M.5x13 | 4 | 4 | 4 | 4 | | |
| 29 | Q162040 | Tuerca exagonal M.6 | Ecrou M.6 | Nut M.6 | 4 | 4 | 4 | 4 | | |
| 30 | Q262040 | Arandela muelle A.6 | Rondelle A.6 | Washer A.6 | 4 | 4 | 4 | 4 | | |

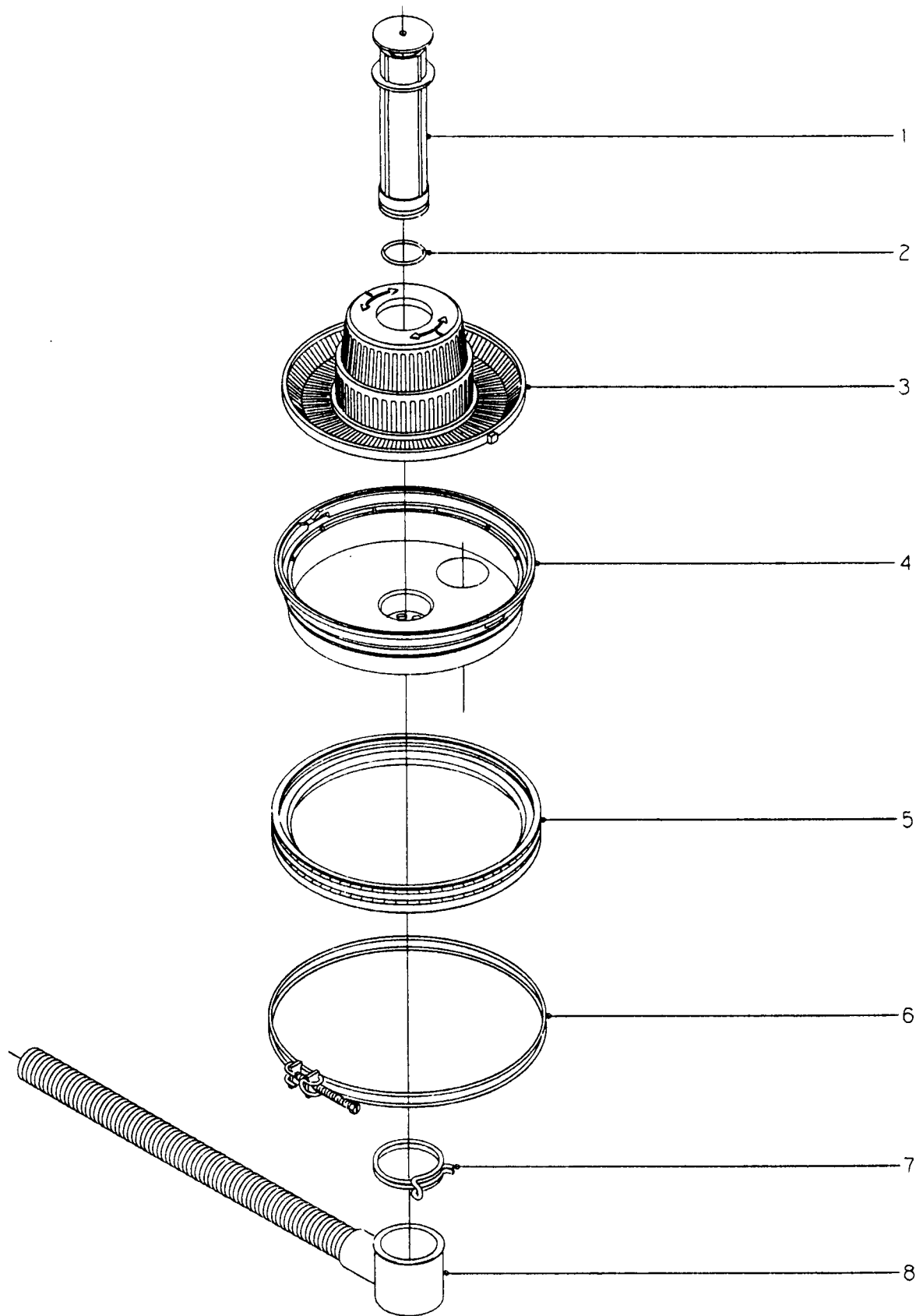



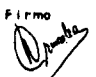
| | | | | | |
|----------|-------|-------|-------------------------------|--------|--|
| Nº plano | Firma | Fecha | Aparato | Lamina | Fagor Industrial S. Coop. FAGOR |
| C-469 | | 7-97 | LAVAVAJILLAS 48. 48B. 64: 64B | 3 | Diseño |

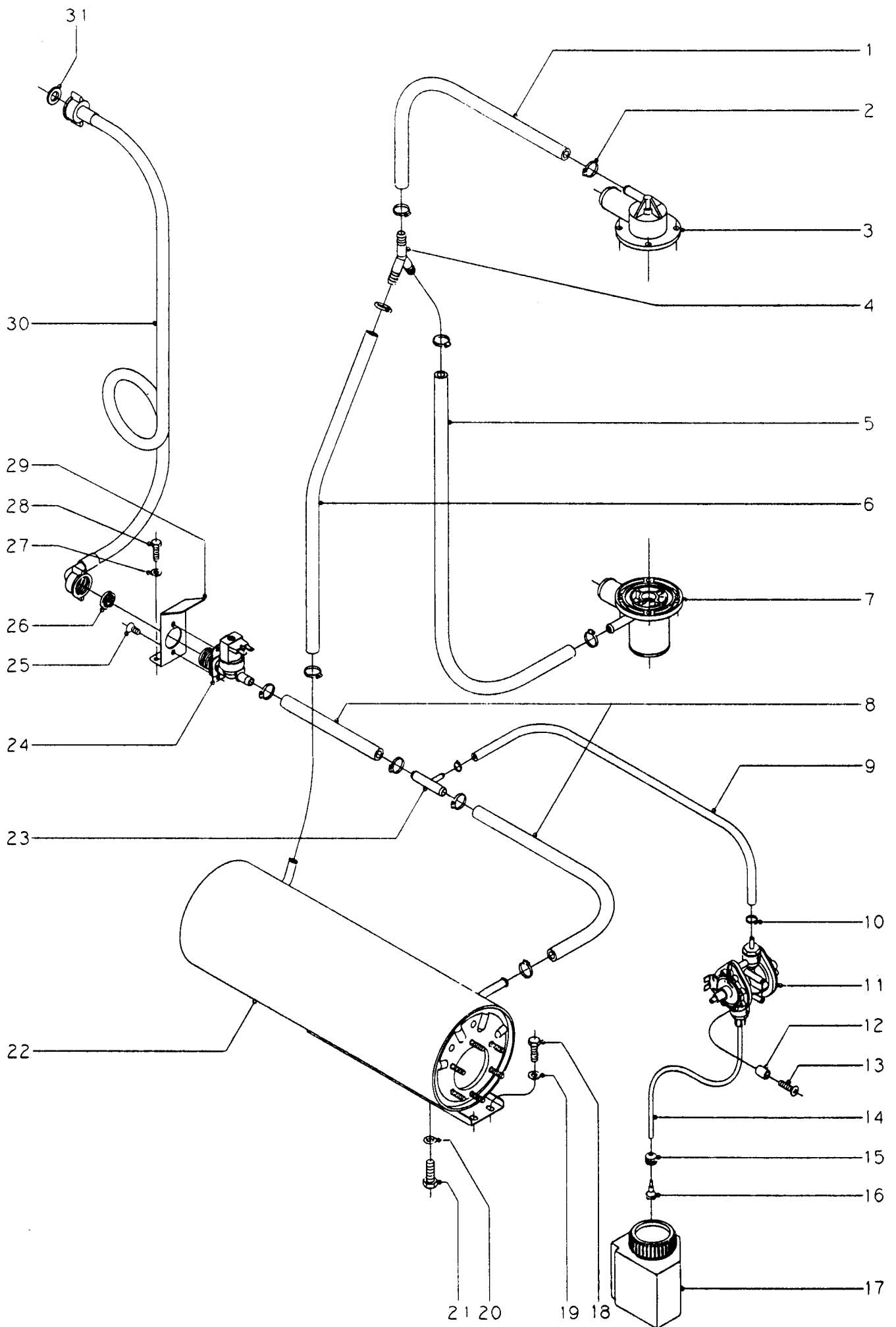
| CONCEPTO: PARTE FUNCIONAL DE LAVADO SUJET: SYSTEME DE LAVAGE CONCEPT: WASHING SYSTEM | | | | | LAMINA Nº VUE Nº 3 ILUSTR. N. | | PLANO Nº PLAN Nº C-469 DRAWING N. | | PAGINA Nº PAGE Nº 8 PAGEN. | |
|---|---------|-------------------------------|----------------------------------|--------------------------|---|--------|--|--------|---|----------------------|
| APARATO - APPAREIL - APPLIANCE: LAVAVAJILLAS - LAVEVAISSELLES - DISH WASHING MACHINE | | | | | MODELO Y CANTIDAD - MOD. ET QUANT. - MOD. & QUANT. | | | | | OBSERVACIONES |
| Nº | CODIGO | DENOMINACION | DENOMINATION | DESCRIPTION | FI-48 | FI-48B | FI-64 | FI-64B | | |
| 1 | Z200906 | Cubeta | Cuve | Tank | 1 | 1 | 1 | 1 | | |
| 2 | Q881324 | Abrazadera 50-70 | Collier 50-70 | Worm clamp 50-70 | 1 | 1 | 1 | 1 | | |
| 3 | Z200904 | Codo aspiración | Coude aspiration | Suction elbow | 1 | 1 | 1 | 1 | | |
| 4 | Q881307 | Abrazadera 40-60 | Collier 40-60 | Worm clamp 40-60 | 1 | 1 | 1 | 1 | | |
| 5 | Z201011 | Bomba de lavado (230V 50Hz) | Pompe de lavage (230V 50Hz) | Washing pump (230V 50Hz) | 1 | 1 | 1 | 1 | | |
| 5 | Z203511 | Bomba de lavado (230V 60Hz) | Pompe de lavage (230V 60Hz) | Washing pump (230V 60Hz) | 1 | 1 | 1 | 1 | | |
| s/n | Z201081 | Conjunto junta y retén | Ensemble joint-bague d'étanchéi. | Joint-retainer | 1 | 1 | 1 | 1 | | |
| s/n | Z201082 | Turbina 50 Hz. (Ø 88 mm) | Turbine 50 Hz. (Ø 88 mm) | Turbine 50 Hz. (Ø 88 mm) | 1 | 1 | 1 | 1 | | |
| s/n | Z203571 | Turbina 60 Hz. (Ø 77 mm) | Turbine 60 Hz. (Ø 77 mm) | Turbine 60 Hz. (Ø 77 mm) | 1 | 1 | 1 | 1 | | |
| 6 | Q881307 | Abrazadera 40-60 | Collier 40-60 | Worm clamp 40-60 | 1 | 1 | 1 | 1 | | |
| 7 | Z200905 | Codo impulsión | Coude d'impulsion | Impulsion elbow | 1 | 1 | 1 | 1 | | |
| 8 | Z201002 | Soporte motobomba | Support de pompe | Pump support | 1 | 1 | 1 | 1 | | |
| 9 | Z201003 | Base bomba lavado | Base de pompe | Pump base | 1 | 1 | 1 | 1 | | |
| 10 | Q232040 | Arandela plana A.6 | Rondelle A.6 | Washer A.6 | 2 | 2 | 2 | 2 | | |
| 11 | Q262040 | Arandela muelle A.6 | Rondelle A.6 | Washer A.6 | 2 | 2 | 2 | 2 | | |
| 12 | Q012041 | Tornillo exagonal M.6x10 | Vis M.6x10 | Bolt M.6x10 | 2 | 2 | 2 | 2 | | |
| 13 | Q232030 | Arandela plana A.5 | Rondelle A.5 | Washer A.5 | 2 | 2 | 2 | 2 | | |
| 14 | Q012033 | Tornillo exagonal M.5x20 | Vis M.5x20 | Bolt M.5x20 | 2 | 2 | 2 | 2 | | |
| 15 | V321300 | Condensador 10 uF | Condensateur | Condenser | 1 | 1 | 1 | 1 | | |
| 16 | Q307048 | Junta tórica | Joint | Joint | 1 | 1 | 1 | 1 | | |
| 17 | Q242050 | Arandela abanico A.8 | Rondelle A.8 | Washer A.8 | 1 | 1 | 1 | 1 | | |
| 18 | Q162050 | Tuerca exagonal M.8 | Ecrou M.8 | Nut M.8 | 1 | 1 | 1 | 1 | | |
| 19 | Q881324 | Abrazadera 50-70 | Collier 50-70 | Worm clamp 50-70 | 1 | 1 | 1 | 1 | | |
| 20 | Z200703 | Pasamuros | Passe-murs | Support | 1 | 1 | 1 | 1 | | |
| 21 | Q881305 | Abrazadera 25-40 | Collier 25-40 | Worm clamp 25-40 | 1 | 1 | 1 | 1 | | |
| 22 | Z200706 | Arbol de lavado | Conduite de lavage | Washing conduit | 1 | 1 | 1 | 1 | | |
| 23 | Z200701 | Soporte distribuidor inferior | Support | Support | 1 | 1 | 1 | 1 | | |
| 24 | Z200704 | Eje central | Axe | Axle | 2 | 2 | 2 | 2 | | |
| 25 | Z650711 | Amarre engancho distribuidor | Rondelle de fixation | Fastening washer | 2 | 2 | 2 | 2 | | |
| 26 | Q152024 | Tornillo avellanado M.4x8 | Vis M.4x8 | Bolt M.4x8 | 4 | 4 | 4 | 4 | | |
| 27 | Z201902 | Rama aclarado izquierda | Branche de rinçage gauche | Left rinsing branch | 2 | 2 | 2 | 2 | | |



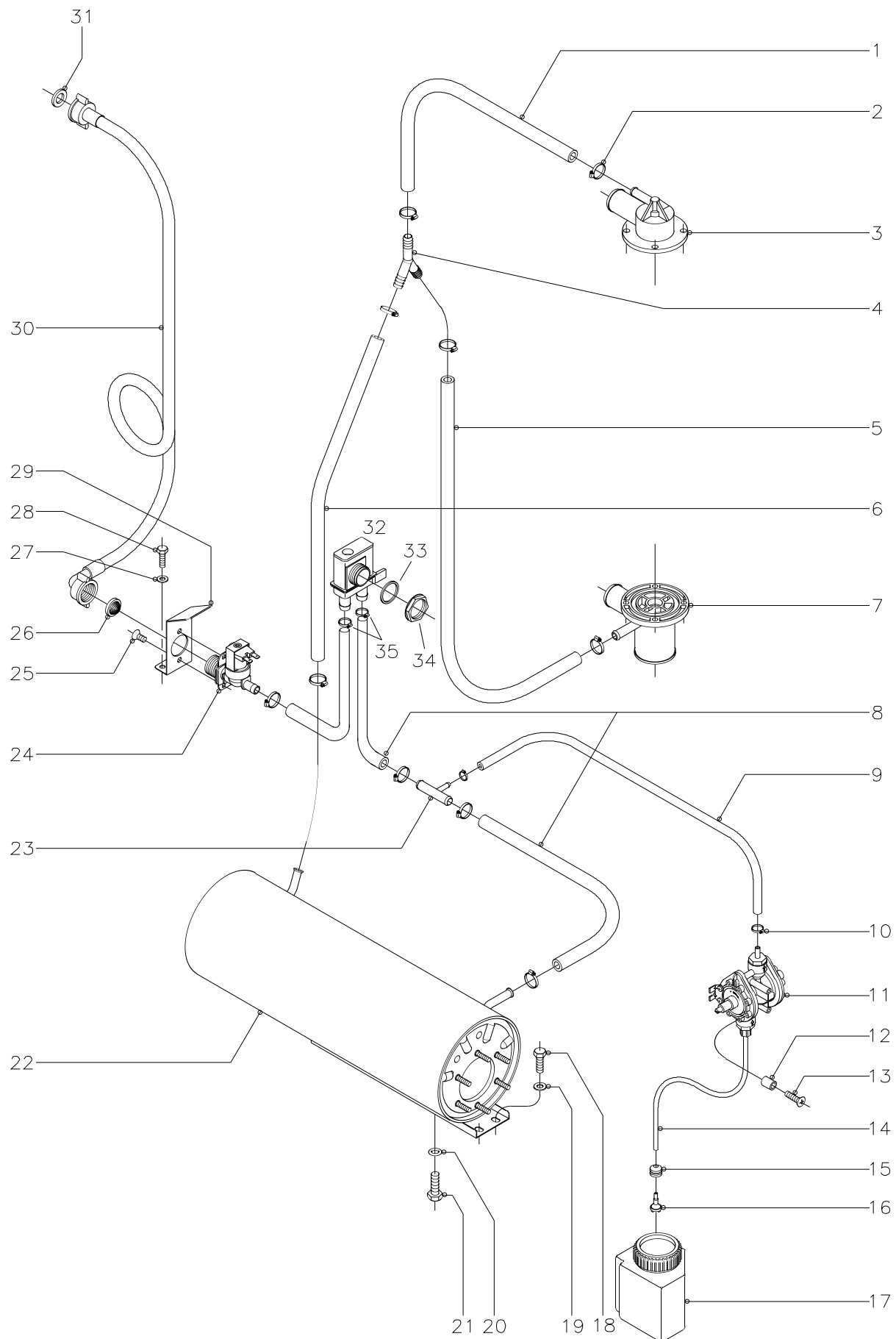
| | | | | | | |
|--------------------|-----------|---------------|--|-------------|-----------------------------------|--------------|
| N.º plano C-470 | Firma | Fecha 7-97 | Aparato LAVAVAJILLAS FI-48B; FI-64B | Lamina 4 | Fagor Industrial S. Coop Onate | FAGOR |
|--------------------|-----------|---------------|--|-------------|-----------------------------------|--------------|



| | | | | | | |
|---------|---|-------|---------------------------|--------|--------------------------|--|
| N plano | Firma | Fecha | Aparato | Lamina | Fagor Industrial S. Coop | FAGOR  |
| C-471 |  | 7-97 | LAVAVAJILLAS FI-48. FI-64 | 5 | Orate | |



| | | | | | |
|------------------|-----------|---------------|---------------------------------------|--------------|---|
| N plano C-472 | Firma | Fecha 7-97 | Aparato LAVAVAJILLAS 48.48B.64:64B | Lam.no 76 | Fagor Industrial S Coop. FAGOR Diseño |
|------------------|-----------|---------------|---------------------------------------|--------------|---|



| | | | | | |
|--------------------|-----------------------------|---------------|--|--------------|--|
| N plano C-472-W | Firma <i>[Signature]</i> | Fecha V-99 | Aparato LAVAVAJILLAS FI-48W; FI-64W | Lamina 6a | Fagor Industrial S.Coop. FAGOR Orati |
|--------------------|-----------------------------|---------------|--|--------------|--|

| CONCEPTO: PARTE FUNCIONAL DEL ACLARADO SUJET: SYSTEME DE RINÇAGE CONCEPT: RINSING SYSTEM | | | | | LAMINA Nº VUE Nº 6 ILUSTR. N. | | PLANO Nº PLAN Nº C-472 DRAWING N. | | PAGINA Nº PAGE Nº 15 PAGEN. | |
|---|----------|--------------------------------|--------------------------------|--------------------------------|---|--------|--|--------|--|----------------------|
| APARATO - APPAREIL - APPLIANCE: LAVAVAJILLAS - LAVEVAISSELLES - DISH WASING MACHINE | | | | | MODELO Y CANTIDAD - MOD. ET QUANT. - MOD. & QUANT. | | | | | OBSERVACIONES |
| Nº | CODIGO | DENOMINACION | DENOMINATION | DESCRIPTION | FI-48 | FI-48B | FI-64 | FI-64B | | |
| 1 | Z201105 | Tubo de goma Ø10xØ17x360 | Tube caoutchouc Ø10xØ17x360 | Rubber tube Ø10xØ17x360 | 1 | 1 | 1 | 1 | | |
| 2 | Q881302 | Abrazadera 12-20 | Collier 12-20 | Worm clamp 12-20 | 10 | 10 | 10 | 10 | | |
| 3 | Z200707 | Soporte distribuidor superior | Support distributeur superieur | Upper distributor support | 1 | 1 | 1 | 1 | | |
| 4 | Z201106 | Racord en Y | Raccord en Y | Union Y | 1 | 1 | 1 | 1 | | |
| 5 | Z201103 | Tubo de goma Ø10xØ17x780 | Tube caoutchouc Ø10xØ17x780 | Rubber tube Ø10xØ17x780 | 1 | 1 | 1 | 1 | | |
| 6 | Z201104 | Tubo de goma Ø10xØ17x560 | Tube caoutchouc Ø10xØ17x560 | Rubber tube Ø10xØ17x560 | 1 | 1 | 1 | 1 | | |
| 7 | Z200703 | Pasamuros | Passe-murs | Cross part | 1 | 1 | 1 | 1 | | |
| 8 | Z201102 | Tubo de goma Ø10xØ17x80 | Tube caoutchouc Ø10xØ17x80 | Rubber tube Ø10xØ17x80 | 2 | - | 2 | - | | |
| 8 | Z221101 | Tubo de goma Ø10xØ17x220 | Tube caoutchouc Ø10xØ17x220 | Rubber tube Ø10xØ17x220 | - | 2 | - | 2 | | |
| 9 | Z201109 | Tubo termaprés Ø5xØ10,5x450 | Tube caoutchouc Ø5xØ10,5x450 | Rubber tube Ø5xØ10,5x450 | 1 | 1 | 1 | 1 | | |
| 10 | Q881308 | Abrazadera 8-14 | Collier 8-14 | Worm clamp 8-14 | 2 | 2 | 2 | 2 | | |
| 11 | Z651123 | Dosificador tensoactivo | Dosseur liquide tensio-actif | Doser of capillary activator | 1 | 1 | 1 | 1 | | |
| 12 | Z2303007 | Casquillo | Douille | Collar | 2 | 2 | 2 | 2 | | |
| 13 | Q041324 | Tornillo avellanado M.4x25 | Vis 4x25 | Bolt 4x25 | 2 | 2 | 2 | 2 | | |
| 14 | Z201110 | Conducto tensoactivo Ø4xØ6x500 | Conduit liq.tens.Ø4xØ6x500 | Capil.activ.ductØ4xØ6x500 | 1 | 1 | 1 | 1 | | |
| 15 | N023064 | Pasamuros Ø 6xØ13 | Passe-murs Ø 6xØ13 | Cross part Ø 6xØ13 | 1 | 1 | 1 | 1 | | |
| 16 | Z601153 | Filtro aspiración tensoactivo | Filtre | Filter | 1 | 1 | 1 | 1 | | |
| 17 | Z211101 | Depósito tensoact. | Depôt d'adoucisneur | Tank for capillary activator | 1 | 1 | 1 | 1 | | |
| 18 | Q012031 | Tornillo exagonal M.5x10 | Vis M.5x10 | Bolt M.5x10 | 2 | 2 | 2 | 2 | | |
| 19 | Q232030 | Arandela plana A.5 | Rondelle A.5 | Washer A.5 | 2 | 2 | 2 | 2 | | |
| 20 | Q307048 | Junta tórica Ø9,12xØ16,18x3,53 | JointØ9,12xØ16,18x3,53 | JointØ9,12xØ16,18x3,53 | 1 | 1 | 1 | 1 | | |
| 21 | Q012063 | Tornillo exagonal M.10x20 | Vis M.10x20 | Bolt M.10x20 | 1 | 1 | 1 | 1 | | |
| 22 | Z201701 | Cuerpo calderín | Corps chaudière | Boilerbody | 1 | 1 | 1 | 1 | | |
| 23 | Z601157 | Toma presión | Prise de pression | Pressure tap | 1 | 1 | 1 | 1 | | |
| 24 | Z701135 | Electroválvula entrada agua | Electrovanne entrée eau | Electric valve for water entry | 1 | 1 | 1 | 1 | | |
| 25 | Q152024 | Tornillo avellanado M.4x8 | Vis M.4x8 | Bolt M.4x8 | 2 | 2 | 2 | 2 | | |
| 26 | Z701132 | Filtro junta | Filtre | Filter | 1 | 1 | 1 | 1 | | |
| 27 | Q232030 | Arandela plana A.5 | Rondelle A.5 | Washer A.5 | 2 | - | 2 | - | | |
| 28 | Q012031 | Tornillo exagonal M.5x10 | Vis M.5x10 | Bolt M.5x10 | 2 | - | 2 | - | | |
| 29 | Z201101 | Escuadra amarre electroválvula | Equerre fixation electrovanne | Electric valve fastening frame | 1 | - | 1 | - | | |
| 30 | Z602121 | Manguera entrada agua | Entrée d'eau | Pipe | 1 | 1 | 1 | 1 | | |
| 31 | Q307031 | Arandela junta | Rondelle | Washer | 1 | 1 | 1 | 1 | | |

CONCEPTO: PARTE FUNCIONAL DEL ACLARADO
SUJET: SYSTEME DE RINÇAGE
CONCEPT: RINSING SYSTEM

LAMINA N°
VUE N°
ILUSTR. N.

6a

PLANON°
PLAN N°
DRAWING N.

C-472W

PAGINA N°
PAGE N°
PAGE N.

15bis

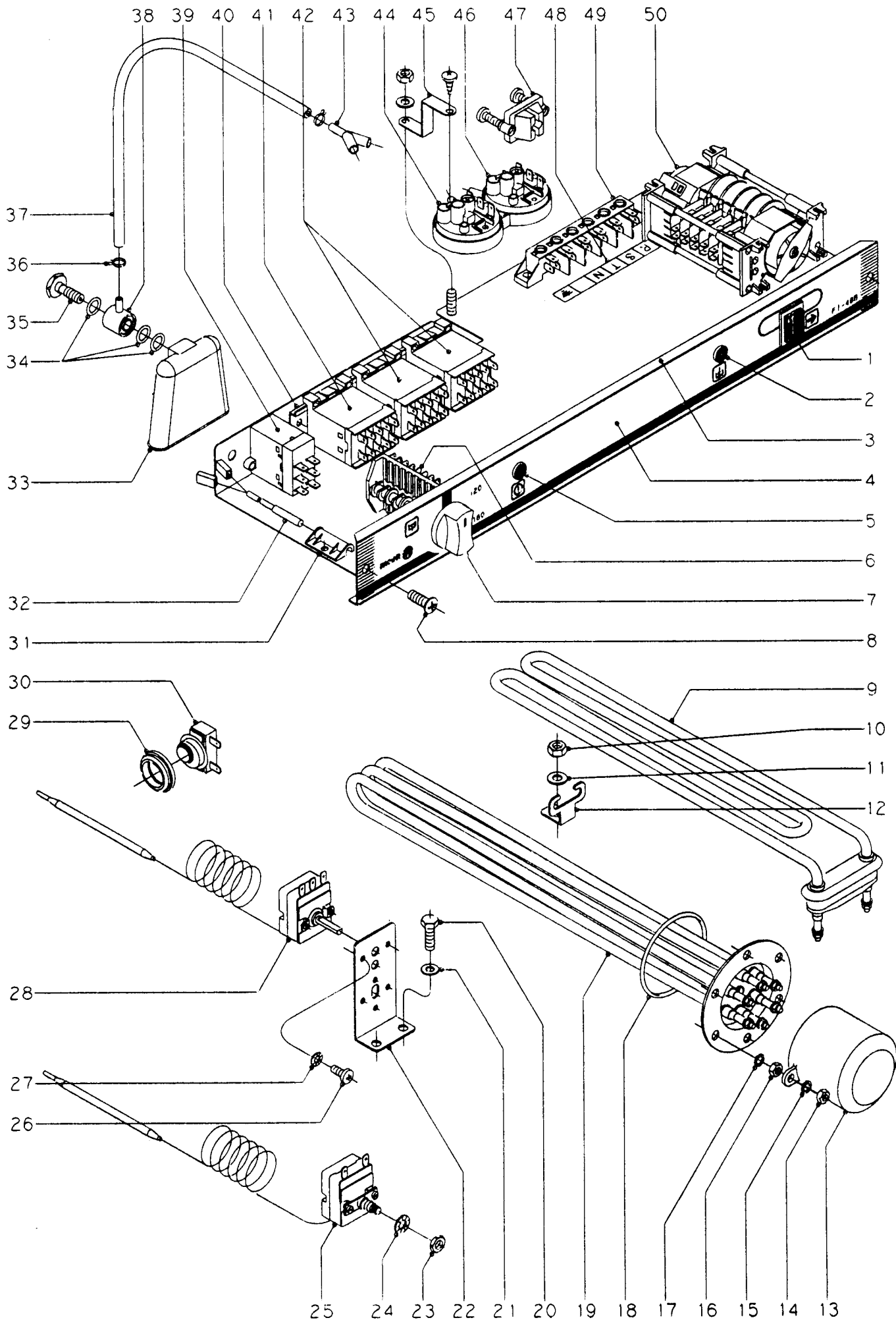
APARATO - APPAREIL - APPLIANCE: LAVAVAJILLAS - LAVEVAISSELLES - DISH WASHING MACHINE

MODELO Y CANTIDAD - MOD. ET QUANT. - MOD. & QUANT.

OBSERVACIONES

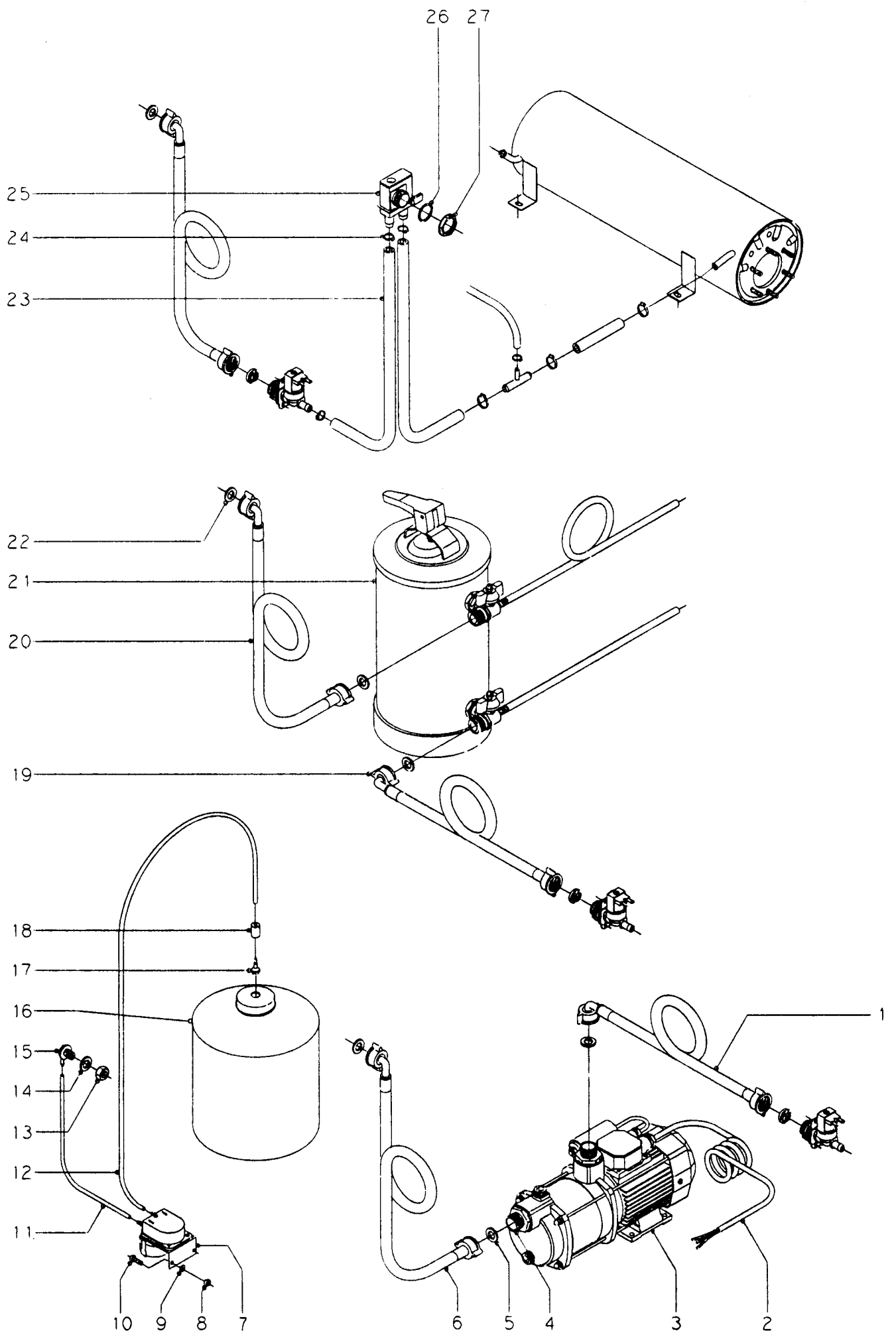
| N° | CODIGO | DENOMINACION | DENOMINATION | DESCRIPTION | FI-48 W | | FI-64 W | | | |
|----|---------|----------------------------|----------------------------|--------------------------|---------|--|---------|--|--|--|
| 32 | Z231105 | Válvula antirretorno | Valve anti-retour | Valve anti-return | 1 | | 1 | | | |
| 33 | Q307029 | Arandela junta Ø31xØ26.5x2 | Rondelle joint Ø31xØ26.5x2 | Joint washer Ø31xØ26.5x2 | 1 | | 1 | | | |
| 34 | X713022 | Tuerca PG-21 | Ecrou PG-21 | Nut PG-21 | 1 | | 1 | | | |
| 35 | Q881302 | Abrazadera 12-20 | Collier 12-20 | Clamp 12-20 | 2 | | 2 | | | |
| | | | | | | | | | | |
| | | | | | | | | | | |
| | | | | | | | | | | |
| | | | | | | | | | | |
| | | | | | | | | | | |
| | | | | | | | | | | |
| | | | | | | | | | | |
| | | | | | | | | | | |
| | | | | | | | | | | |
| | | | | | | | | | | |
| | | | | | | | | | | |
| | | | | | | | | | | |
| | | | | | | | | | | |
| | | | | | | | | | | |
| | | | | | | | | | | |
| | | | | | | | | | | |
| | | | | | | | | | | |
| | | | | | | | | | | |
| | | | | | | | | | | |
| | | | | | | | | | | |
| | | | | | | | | | | |
| | | | | | | | | | | |
| | | | | | | | | | | |
| | | | | | | | | | | |

Models "W"
Models "W"
Models "W"
Models "W"



| | | | | | | |
|---------|--------------------|-------|-------------------------------|----------|--------------------------|--------------|
| N plano | Firma | Fecha | Aprobado | Laminado | Fagor Industrial S. Coop | FAGOR |
| C-473 | <i>[Signature]</i> | 7-97 | LAVAVAJILLAS 48. 48B. 64. 64B | 7 | Onote | |

| CONCEPTO: PARTE FUNCIONAL ELECTRICA SUJET: SYSTEME ELECTRIQUE CONCEPT: ELECTRICAL SYSTEM | | | | | LAMINA Nº VUE Nº 7 ILUSTR. N. | | PLANO Nº PLAN Nº C-473 DRAWING N. | | PAGINA Nº PAGE Nº 17 PAGEN. | |
|---|---------|-------------------------------|------------------------------|------------------------------|---|--------|--|--------|--|----------------------|
| APARATO - APPAREIL - APPLIANCE: LAVAVAJILLAS - LAVEVAISSELLES - DISH WASING MACHINE | | | | | MODELO Y CANTIDAD - MOD. ET QUANT. - MOD. & QUANT. | | | | | OBSERVACIONES |
| Nº | CODIGO | DENOMINACION | DENOMINATION | DESCRIPTION | FI-48 | FI-48B | FI-64 | FI-64B | | |
| 1 | Z213033 | Pulsador de marcha | Bouton de "start" | Start switch | 1 | 1 | 1 | 1 | | |
| 2 | Z203004 | Piloto verde | Témoin vert | Green lamp | 1 | 1 | 1 | 1 | | |
| 3 | Z212909 | Frente extraíble | Front | Front | 1 | 1 | 1 | 1 | | |
| 4 | Z212910 | Embellecedor adhesivo | Plaque adhesive | Adhesive plate | 1 | - | - | - | | |
| 4 | Z222902 | Embellecedor adhesivo | Plaque adhesive | Adhesive plate | - | 1 | - | - | | |
| 4 | Z242901 | Embellecedor adhesivo | Plaque adhesive | Adhesive plate | - | - | 1 | - | | |
| 4 | Z258501 | Embellecedor adhesivo | Plaque adhesive | Adhesive plate | - | - | - | 1 | | FI-64 W |
| 5 | Z203005 | Piloto ámbar | Témoin ambar | Lamp ambar | 1 | 1 | 1 | 1 | | |
| 6 | Z213003 | Conmutador de funciones | Conmutateur de fonctions | Main switch | 1 | - | 1 | - | | |
| 6 | Z223001 | Conmutador de funciones | Conmutateur de fonctions | Main switch | - | 1 | - | 1 | | |
| 7 | Z214902 | Botón de mando | Bouton de commutateur | Knob | 1 | 1 | 1 | 1 | | FI-64 W |
| 8 | Q152004 | Tornillo aplastado M.5x13 | Vis M.5x13 | Bolt M.5x13 | 2 | 2 | 2 | 2 | | |
| 9 | Z203601 | Resistencia tanque | Résistance cuve | Tank heating element | 1 | 1 | 1 | 1 | | |
| 10 | Q162040 | Tuerca exagonal M.6 | Ecrou M.6 | Nut M.6 | 1 | 1 | 1 | 1 | | |
| 11 | Q232040 | Arandela plana A.6 | Rondelle A.6 | Washer A.6 | 1 | 1 | 1 | 1 | | |
| 12 | Z603602 | Soporte resistencia tanque | Support résistance cuve | Tank heating element support | 1 | 1 | 1 | 1 | | |
| 13 | Z651731 | Caperuza resistencia calderín | Chapeau résistance chaudière | Boiler resistance hood | 1 | 1 | 1 | 1 | | |
| 14 | Q163140 | Tuerca exagonal M.6 | Ecrou M.6 | Nut M.6 | 2 | 2 | 2 | 2 | | |
| 15 | Q262040 | Arandela muelle A.6 | Rondelle A.6 | Washer A.6 | 2 | 2 | 2 | 2 | | |
| 16 | Q163140 | Tuerca exagonal M.6 | Ecrou M.6 | Nut M.6 | 6 | 6 | 6 | 6 | | |
| 17 | Q262040 | Arandela muelle A.6 | Rondelle A.6 | Washer A.6 | 6 | 6 | 6 | 6 | | |
| 18 | Q307035 | Junta tórica AN-36 | Joint torique AN-36 | O-ring seal AN-36 | 1 | 1 | 1 | 1 | | |
| 19 | Z201706 | Resistencia calderín | Résistance chaudière | Boiler resistance | 1 | 1 | - | - | | |
| 19 | Z241701 | Resistencia calderín | Résistance chaudière | Boiler resistance | - | - | 1 | 1 | | |
| 20 | Q012031 | Tornillo exagonal M.5x10 | Vis M.5x10 | Bolt M.5x10 | 2 | 2 | 2 | 2 | | |
| 21 | Q232030 | Arandela plana A.5 | Rondelle A.5 | Washer A.5 | 2 | 2 | 2 | 2 | | |
| 22 | Z203016 | Soporte termostato | Support de thermostat | Thermostat support | 1 | 1 | 1 | 1 | | |
| 23 | Q223022 | Tuerca exagonal M.8x1 | Ecrou M.8x1 | Nut M.8x1 | 1 | 1 | 1 | 1 | | |
| 24 | Q242050 | Arandela abanico A.8 | Rondelle A.8 | Washer A.8 | 1 | 1 | 1 | 1 | | |
| 25 | R343124 | Termostato limitador | Thermost. de sécurité | Safety thermostat | 1 | 1 | 1 | 1 | | |
| 26 | Q153111 | Tornillo alomado M.4x8 | Vis M.4x8 | Bolt M.4x8 | 2 | 2 | 2 | 2 | | |

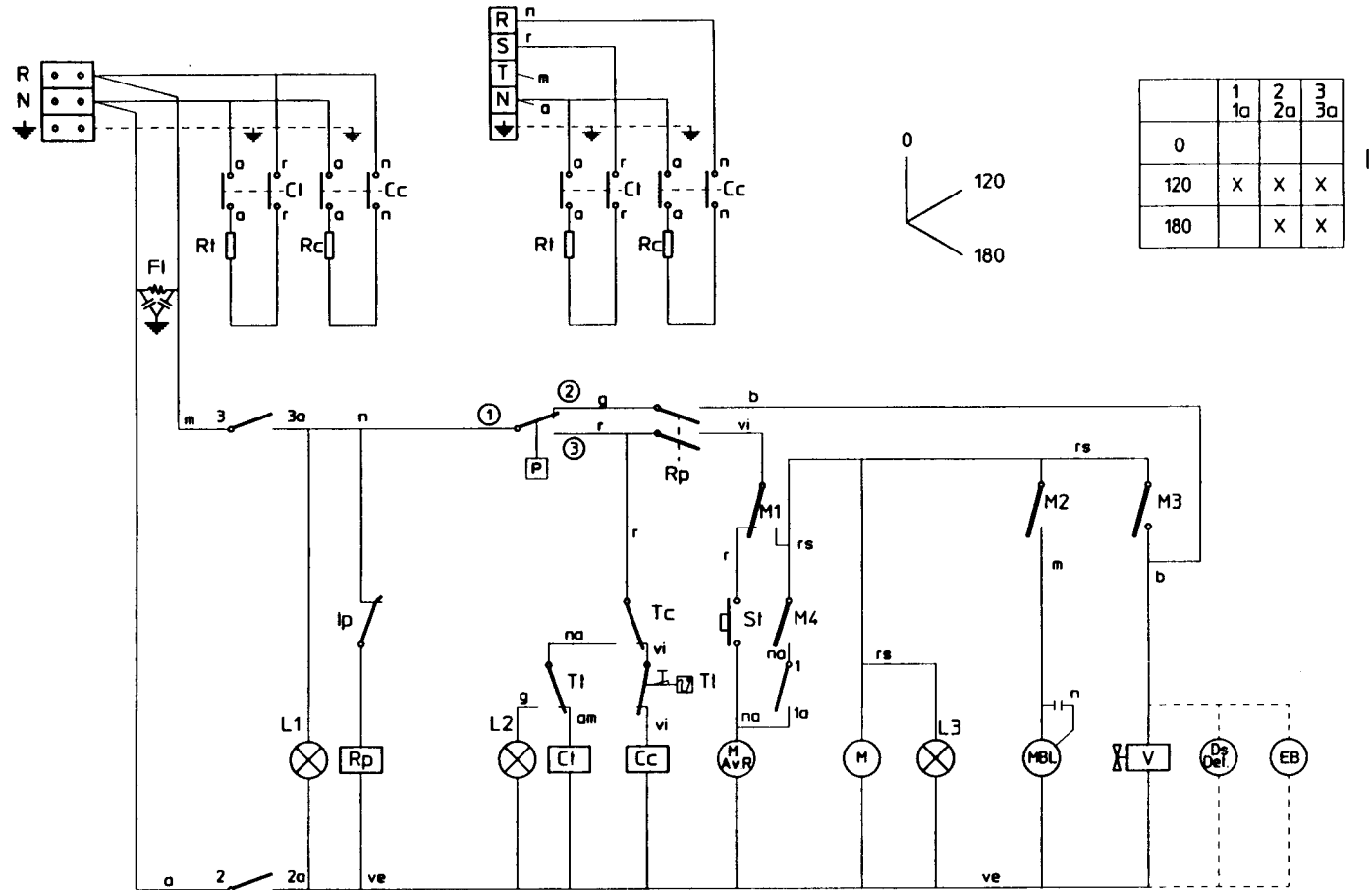


| | | | | | |
|---------|--------------------|-------|-------------------------|--------|---------------------------------------|
| N plano | Firma | Fecha | Aparato | Lamina | Fagor Industrial S.Coop. FAGOR |
| C-466 | <i>[Signature]</i> | 7-97 | ACCESORIOS LAVAVAJILLAS | — | Onote |

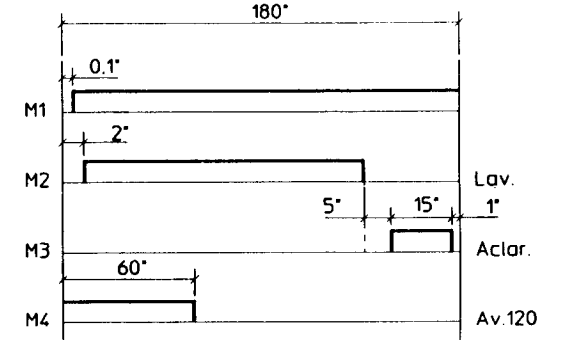
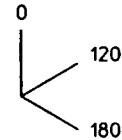
1N ~ 240V.

3N ~ 380 - 415 V.

Mod.: FI-48, A480, KM-48



| | | | |
|-----|----|----|----|
| | 1 | 2 | 3 |
| | 1a | 2a | 3a |
| 0 | | | |
| 120 | X | X | X |
| 180 | | X | X |



CODIGO DE COLORES:

- r = rojo-red-rouge
- m = marron-brown-marron
- g = gris-grey-gris
- n = negro-black-noir
- a = azul-blue-bleu
- b = blanco-white-blanc
- vi = violeta-violette-violet
- am = amarillo-yellow-jaune
- na = naranja-orange-orange
- rs = rosa-rose-pink
- ve = verde-green-verl
- am/ve = amarillo verde-yellow green-jaune verl

NOTAS -

- Fondo del esquema: Color Blanco
- Grabaciones: Color Negro
- Dimensiones: 235x120
- N° Clasificación: Parte inferior dcha.

I_G - Interruptor General
 L1 - Lampara de marcha
 Ip - Micro de puerta
 Rp - Relé puerta
 P - Presostato
 Tc - Termostato calderin
 Tt - Termostato tanque
 Tl - Termostato limitador de calderin
 Cc - Contactor calderin
 Ct - Contactor tanque
 L2 - Lampara máquina preparada
 Rc - Resistencia calderin
 St - Pulsador de marcha
 FI - Filtro de interferencias

Rt - Resistencia tanque
 M.Av.R - Motor programador Avance Rápido
 M - Motor programador
 M1 - Micro programador marcha
 M2 - Micro programador lavado
 M3 - Micro programador aclarado
 M4 - Micro programador Avance 120°
 L3 - Lámpara de ciclo
 MBL - Motobomba lavado
 C - Condensador de motobomba
 V - Válvula de llenado y aclarado
 Ds Del - Dosificador de detergente (opcional)
 EB - Electrobomba de presión (Opcional)

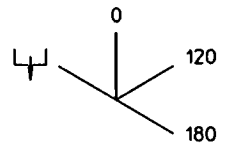
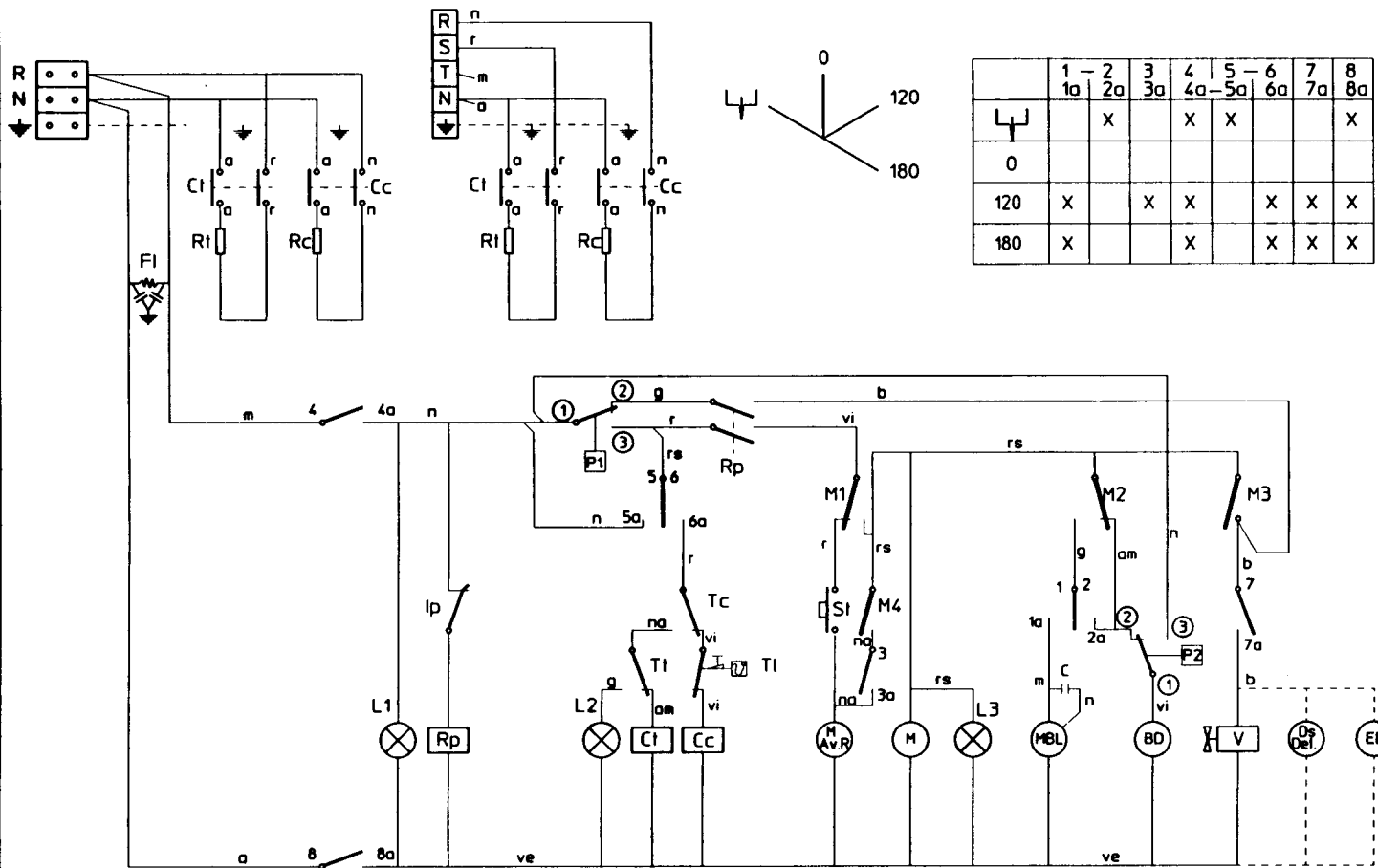
| | | | | | |
|--------------------------------------|--------------|----------------|--------------|------------------------|---------|
| Esquema teorico adhesivo | | Papel adhesivo | Z-213012 | | |
| Nº | Pieza | Cant | Material | Nº Clasificación | |
| Nº | Modificación | | Propuesta de | Fecha | |
| | | | | Tolerancias generales | |
| | | | | < 5 : | 50-100: |
| | | | | 5 - 25: | > 100: |
| | | | | 25 - 50: | ∞ : |
| Dibujado | | Firma | Fecha | | |
| Proyectado | | S. N. | 27-9-95 | | |
| Comprobado | | | | | |
| Escala | | | | | |
| Fagor Industrial, Koop, Elk, Mugatua | | | | Mecanizado superficial | |
| LAVAVAJILLAS | | | | Plano numero | |
| | | | | HC-16499 | |
| | | | | Sustituye al N° | |
| | | | | Sustituido por | |

Maria hau ez dafleke erabil ez berizla gure bomentz gabe

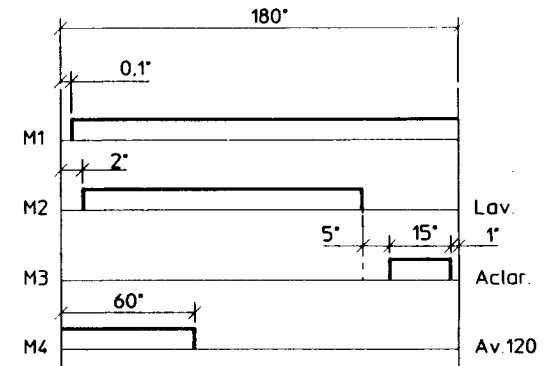
1N ~ 240V.

3N ~ 380 - 415 V.

Mod.: FI-48 B, A480 B



| | | | | | | | |
|-----|-----|----|----|-------|----|----|----|
| | 1-2 | 3 | 4 | 5-6 | 7 | 8 | |
| | 1a | 2a | 3a | 4a-5a | 6a | 7a | 8a |
| 0 | | X | | X | | | X |
| 120 | X | | X | X | | X | X |
| 180 | X | | X | | X | X | X |



CODIGO DE COLORES:

- r = rojo-red-rouge
- m = marron-brown-marron
- g = gris-grey-gris
- n = negro-black-noir
- a = azul-blue-bleu
- b = blanco-white-blanc
- vi = violeta-violette-violet
- am = amarillo-yellow-jaune
- na = naranja-orange-orange
- rs = rosa-rose-pink
- ve = verde-green-vert
- am/ve = amarillo verde-yellow green-jaune vert

NOTAS.-

- Fondo del esquema: Color Blanco
- Grabaciones: Color Negro
- Dimensiones: 235x120
- N° Clasificación: Parte inferior dcha.

- IG - Interruptor General
- L1 - Lámpara de marcha
- Ip - Micro de puerta
- Rp - Relé puerta
- P1 - Presostato
- Tc - Termostato calderin
- Tl - Termostato tanque
- TI - Termostato limitador de calderin
- Cc - Contactor calderin
- Cl - Contactor tanque
- L2 - Lámpara máquina preparada
- Rc - Resistencia calderin
- St - Pulsador de marcha
- FI - Filtro de interferencias
- BD - Bomba de Desagüe

- Rl - Resistencia tanque
- M.A.V.R - Motor programador Avance Rápido
- M - Motor programador
- M1 - Micro programador marcha
- M2 - Micro programador lavado
- M3 - Micro programador aclarado
- M4 - Micro programador Avance 120°
- L3 - Lámpara de ciclo
- MBL - Motobomba lavado
- C - Condensador de motobomba
- L2 - Lámpara máquina preparada
- Rc - Resistencia calderin
- St - Pulsador de marcha
- FI - Filtro de interferencias
- BD - Bomba de Desagüe

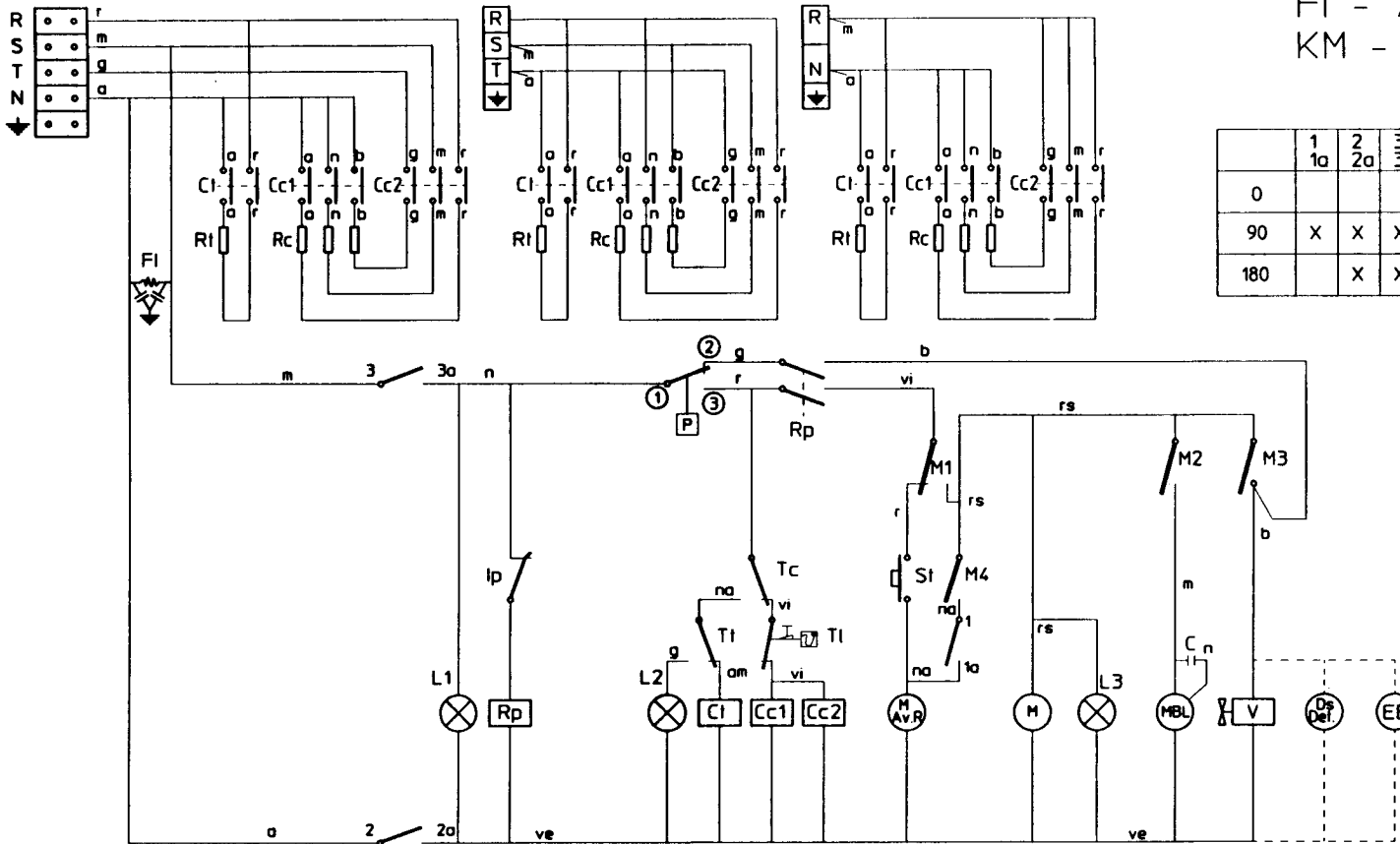
| Esquema teorico adhesivo | | Papel adhesivo Z-223012 | |
|--|--------------|-------------------------------------|---------------------------------|
| Nº | Pieza | Cant. | Material |
| Nº | Modificacion | Propuesta de | Fecha |
| Firma | | Fecha | |
| Dibujado | | S. N. 27-9-95 | |
| Proyectado | | FAGOR | |
| Comprobado | | | |
| Escala | | Fagor Industrial, Koop Elk. Mugatua | |
| LAVAVAJILLAS | | | |
| Plano hau ez daiteke erabil ez berrizta gure baimeniz gabe | | | Plano numero HC-16500 |
| | | | Sustituye al N° |
| | | | Sustituido por |

3N ~ 380/415V.

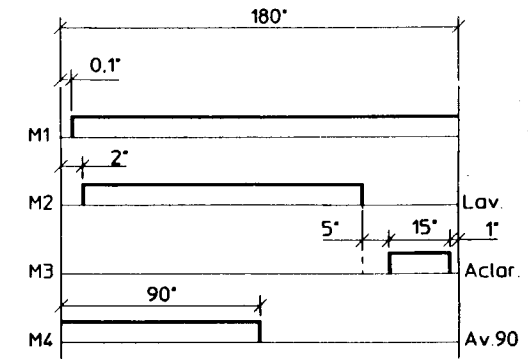
3 ~ 220V.

1N ~ 220 V./ 1N ~ 240V.

Mod. FI - 64
FI - 72
KM - 64



| | | | | |
|-----|----|----|----|----|
| | 1 | 2 | 3 | |
| | 1a | 2a | 3a | |
| 0 | | | | IG |
| 90 | X | X | X | |
| 180 | | X | X | |



CODIGO DE COLORES:
 r = rojo-red-rouge
 m = marron-brown-marron
 g = gris-grey-gris
 n = negro-black-noir
 a = azul-blue-bleu
 b = blanco-white-blanc
 vi = violeta-violette-violet
 am = amarillo-yellow-jaune
 na = naranja-orange-orange
 rs = rosa-rose-pink
 ve = verde-green-vert
 am/ve = amarillo verde-yellow green-jaune vert

NOTAS.-
 - Fondo del esquema: Color Blanco
 - Grabaciones: Color Negro
 - Dimensiones: 235x120
 - N° Clasificación: Parte inferior dcha.

IG - Interruptor General
 L1 - Lámpara de marcha
 Ip - Micro de puerta
 Rp - Relé puerta
 P - Presostato
 Tc - Termostato calderin
 Tl - Termostato tanque
 Tl - Termostato limitador de calderin
 Cc1, Cc2 - Contactor calderin
 C1 - Contactor tanque
 L2 - Lámpara máquina preparada
 Rc - Resistencia calderin
 St - Pulsador de marcha
 FI - Filtro de interferencias

R1 - Resistencia tanque
 M.A.V.R - Motor programador Avance Rápido
 M - Motor programador
 M1 - Micro programador marcha
 M2 - Micro programador lavado
 M3 - Micro programador aclarado
 M4 - Micro programador Avance 90°
 L3 - Lámpara de ciclo
 MBL - Motobomba lavado
 C - Condensador de motobomba
 V - Válvula de llenado y aclarado
 Ds Det - Dosificador de detergente (opcional)
 EB - Electrobomba de presión (opcional)

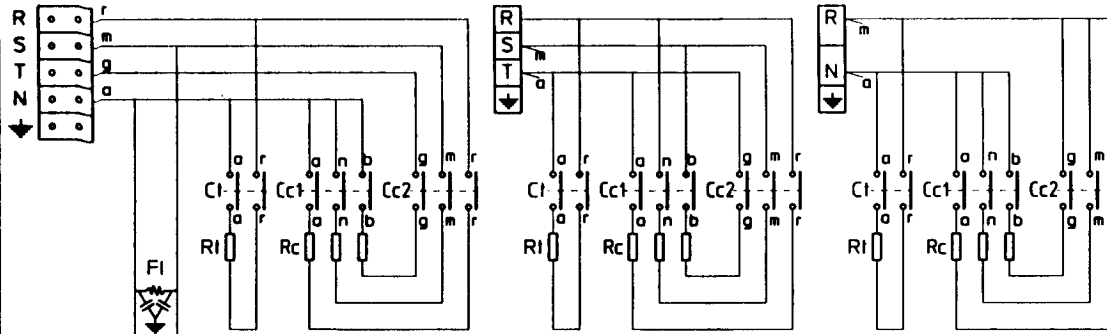
| | | | | |
|--|--------------|----------------|---|---|
| Esquema teorico adhesivo | | Papel adhesivo | Z-243009 | |
| Nº | Pieza | Cant. | Material | Nº Clasificación Acabado |
| Nº | Modificación | | Propuesta de | Fecha Tolerancias generales |
| | | | | < 5 : 50-100! 5 - 25 : > 100! 25 - 50 : X : |
| | Firma | Fecha | Mecanzado superficial Fagor Industrial.Koop.Elk. Mugatua | |
| Dibujado | S. N. | 28-9-95 | | |
| Proyectado | | | | |
| Comprobado | | | | |
| Escaleta | LAVAVAJILLAS | | | Plano numero HC-16501 |
| Plano hau ez daiteke erabili ez berizta gure baimeniz gabe | | | | Sustituye at N° Sustituido por |

3N ~ 380/415V.

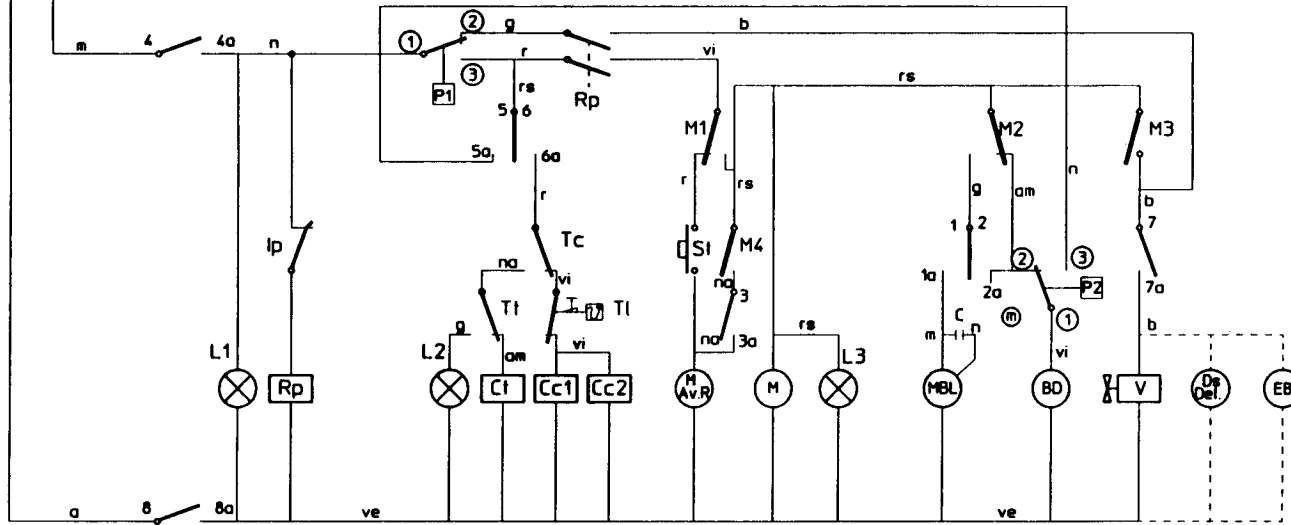
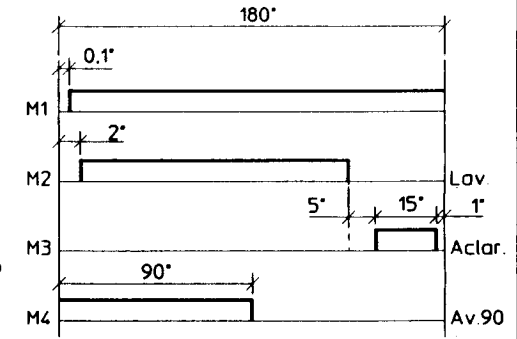
3 ~ 220V.

1N ~ 220 V./ 1N ~ 240V.

FI 64 B

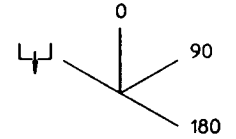


| | | | | | | |
|-----|--------------|---------|------------|-----------|---------|---------|
| | 1-2 1a 2a | 3 3a | 4 4a-5a | 5-6 6a | 7 7a | 8 8a |
| L1 | | X | X | X | | X |
| 0 | | | | | | |
| 90 | X | X | X | X | X | X |
| 180 | X | X | X | X | X | X |



CODIGO DE COLORES:

- r = rojo-red-rouge
- m = marron-brown-marron
- g = gris-grey-gris
- n = negro-black-noir
- a = azul-blue-bleu
- b = blanco-white-blanc
- vi = violeta-violette-violet
- am = amarillo-yellow-jaune
- na = naranja-orange-orange
- rs = rosa-rose-pink
- ve = verde-green-vert
- am/ve = amarillo verde-yellow green-jaune vert



NOTAS.-

- Fondo del esquema: Color Blanco
- Grabaciones: Color Negro
- Dimensiones: 235x120
- N° Clasificación: Parte inferior dcha.

- IG = Interruptor General
- L1 = Lámpara de marcha
- Ip = Micro de puerta
- Rp = Relé puerta
- P1 = Presostato
- Tc = Termostato calderin
- Tl = Termostato tanque
- Tl = Termostato limitador de calderin
- Cc1, Cc2 = Contactor calderin
- Ct = Contactor tanque
- L2 = Lámpara máquina preparada
- Rc = Resistencia calderin
- Si = Pulsador de marcha
- Fi = Filtro de interferencias
- BD = Bomba de Desagüe

- Rt = Resistencia tanque
- M.Av.R = Motor programador Avance Rápido
- M = Motor programador
- M1 = Micro programador marcha
- M2 = Micro programador lavado
- M3 = Micro programador aclarado
- M4 = Micro programador Avance 90°
- L3 = Lámpara de ciclo
- MBL = Motobomba lavado
- C = Condensador de motobomba
- V = Válvula de llenado y aclarado
- Ds Det = Dosificador de detergente (opcional)
- P2 = Presostato de seguridad
- EB = Electrobomba de presión (Opcional)

| | | | |
|---------------------------------------|-------|------------------------|------------------|
| Esquema teorico adhesivo | | Papel adhesivo | Z-253009 |
| Nº Pieza | Cont. | Material | Nº Clasificación |
| Nº Modificación | | Propuesta de | Fecha |
| | | Tolerancias generales | |
| | | < 5 : | 50-100: |
| | | 5-25: | > 100: |
| | | 25-50: | ∞ : |
| | | Mecanizado superficial | |
| Dibujado | Firma | Fecha | FAGOR |
| Proyectado | S. N. | 28-9-95 | |
| Comprobado | | | |
| Escala | | | |
| Fagor Industrial, Koop. Elk. Mugatua | | | Piano numero |
| LAVAVAJILLAS | | | HC-16502 |
| Plano hau ez daiteke erabiltzeko gabe | | | Sustituye al N° |
| | | | Sustituido por |